

GM-BFDL Stainless Steel 316 Bi-Fold Door Latch

Features

- Clean look and easy cutout
- Strong yet compact stainless steel construction
- Door thickness:
 - Max - depends on screw length
 - Min - 12 mm
- Hidden screws design

Material

- Stainless steel 316

Notes

- Uses screw size #10
- **GM-BFDL-A319315** and **GM-BFDL-A307596** are sold separately



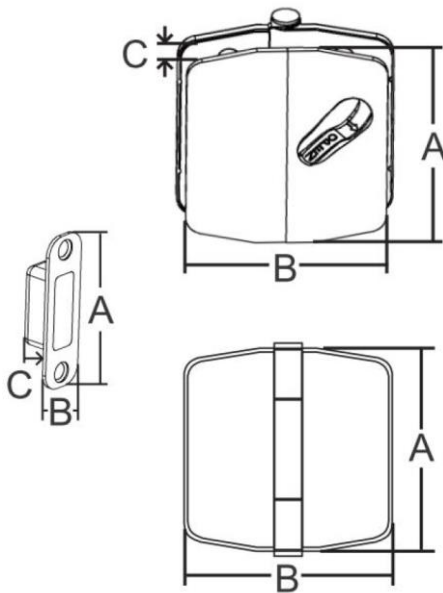
GM-BFDL-A307130
Hinge with latch



GM-BFDL-A307596
Hold-open strike



GM-BH-A319315
Matching hinge
(contact Gripwell for assistance)



Part No.	A	B	C
GM-BFDL-A307130	75	70	Min. 12
GM-BFDL-A319315	78	78	-
GM-BFDL-A307596	62	19	13.5